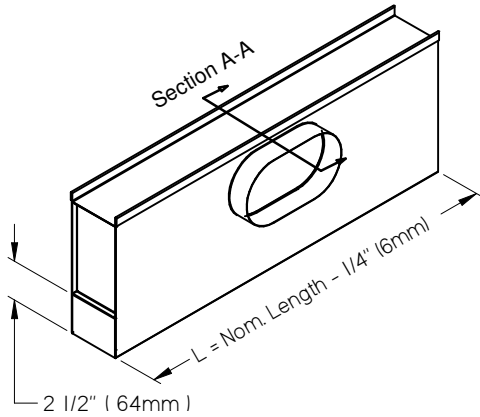


UPL - UNIVERSAL PLENUM LOW PROFILE



HEM OPTION:

Hemmed (for surface mount applications)

For use with:

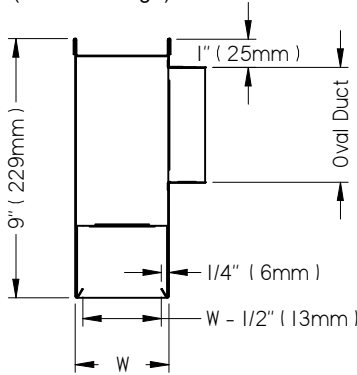
- LBP with type C mounting
- CF border type CMF, EF (SM), FM (SM)
- SDS border type 2, 8, 8A, 21, 22

Flat (for t-bar applications)

For use with:

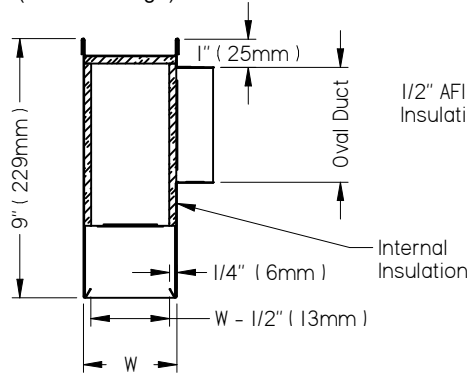
- LBP
- CF LI border type EF (LI), FM (LI), TG916, TZ-4, TZ-6, CMF-EF
- SDS border type 1, 3, 6, 7, 9A, 9B, 12, 14, 15, 17, 18, 19, 20, 916

Non-insulated model (hemmed edge)



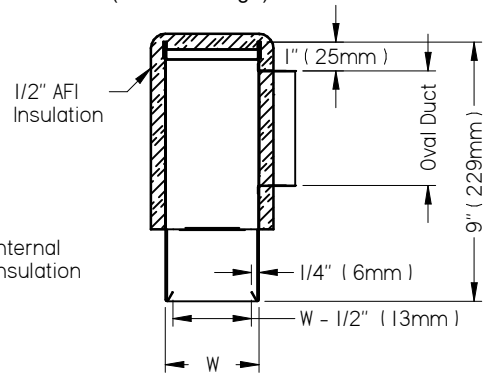
Section A-A

Internally insulated model (hemmed edge)



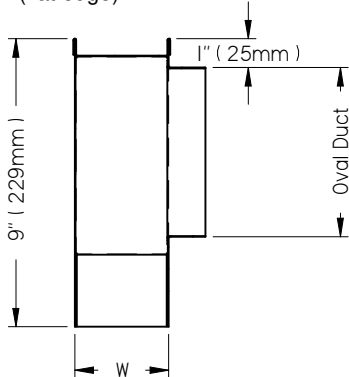
Section A-A

Externally insulated AFI model (hemmed edge)



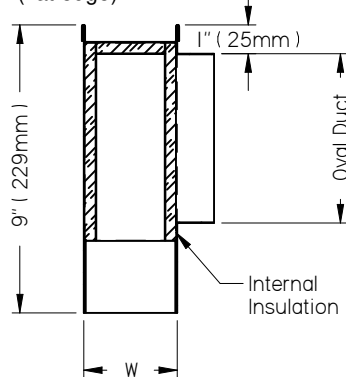
Section A-A

Non-insulated model (flat edge)



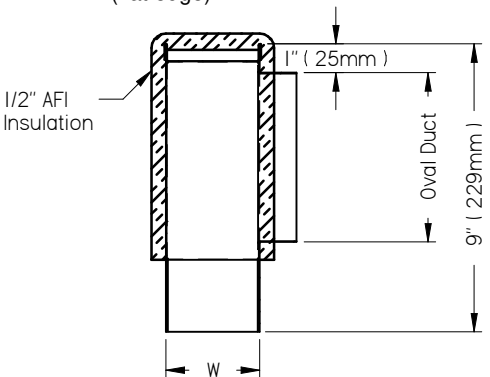
Section A-A

Internally insulated model (flat edge)



Section A-A

Externally insulated AFI model (flat edge)



Section A-A

ALL METRIC DIMENSIONS () ARE SOFT CONVERTED. IMPERIAL DIMENSIONS ARE CONVERTED TO METRIC AND ROUNDED TO THE NEAREST MILLIMETER.

PROJECT:

ENGINEER:

CUSTOMER:

SUBMITTAL DATE:

SPEC. SYMBOL:



MS
244076

2023-03-27

UPL
UNIVERSAL PLENUM
LOW PROFILE

UPL - UNIVERSAL PLENUM LOW PROFILE

WIDTH (W):
(Specify Price diffuser)

- SDS
Type _____
Border Type _____
Slot Quantity _____
- LBP
Specify width _____
- Custom Flow (CF)
Slot Quantity _____
Slot Width _____

MATERIAL:
• Coated steel

NOTES:
• Maximum plenum width is 14" (356mm)
• End caps are not insulated
• Field cut inlet - unit supplied without inlet for field cutting

- NOM. LENGTH:**
- 12" (305mm)
 - 24" (610mm)
 - 36" (914mm)
 - 48" (1219mm)
 - 60" (1524mm)
 - 72" (1829mm)
 - Specify length _____

- INLET SIZE (OVAL):**
- 5" (3"x6")
 - 6" (4"x7")
 - 7" (4"x8.562")
 - 8" (4"x10.125")
 - 9" (4"x11.687")
 - 10" (4"x13.250")
 - 12" (4"x16.375")
 - FC - Field Cut Inlet

• Lengths less than 18" only available with 5", 6" or FC inlet

- NECK OPTION:**
- Standard Neck
 - BN - Beaded Neck

- INSULATION:**
- CF - Internal Coated Fiberglass
 - FF - Internal Fiber Free Foam
 - AFI - External Aluminum Foil Faced

ALL METRIC DIMENSIONS () ARE SOFT CONVERTED. IMPERIAL DIMENSIONS ARE CONVERTED TO METRIC AND ROUNDED TO THE NEAREST MILLIMETER.

PROJECT:		PRICE [®]	
ENGINEER:		<i>MS</i>	UPL UNIVERSAL PLENUM LOW PROFILE
CUSTOMER:		244076	
SUBMITTAL DATE:	SPEC. SYMBOL:	2023-03-27	