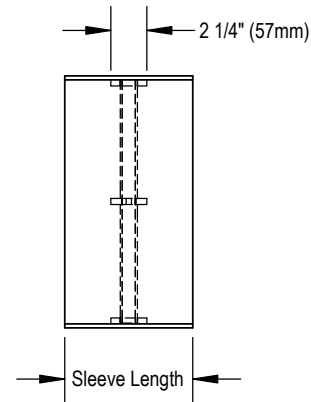
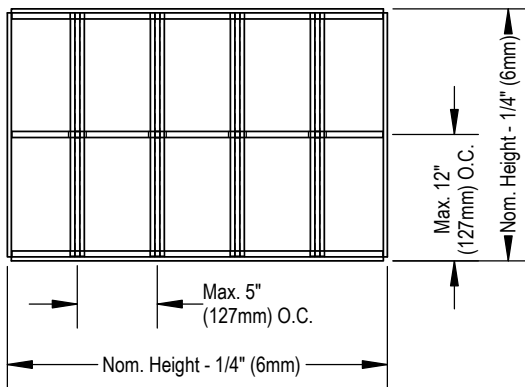
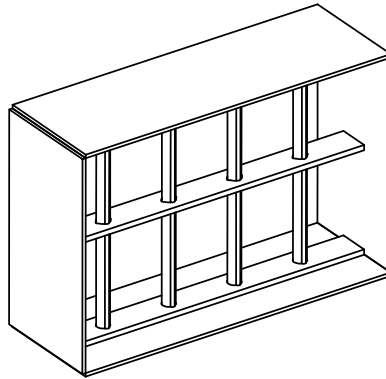


MSTRBG - Maximum Security Tool Resisting Barrier Grille



CONSTRUCTION:

- TDRB875 Barrier Bars - 7/8" (22mm) diameter steel, maximum 5" (127mm) on center spacing, double ribbed profile interlocks with flat bars
- Flat bars - 2 1/4" x 3/8" (57mm x 10mm) on maximum 12" (305mm) centers
- Hardened barrier bars, and flat bars (frame inserts and intermediate bars) for tool resistance, meets ASTM A627-03 specification
- Sleeve:
 - S250 - 1/4" (6mm) steel construction
 - Minimum length:
 - 4" (102mm) without optional mounting frames
 - 10" (254mm) with mounting frames
 - Maximum length 26" (660mm)
 - Sleeve length approximately 6" (152mm) larger than wall thickness is recommended to allow for mounting and duct connections
- Welds:
 - Stitch welded (standard)
 - CWS - Continuously welded seams

NOTES:

- Minimum size 6" x 6" (152mm x 152mm)
- Maximum 30" x 30" (762mm x 762mm)
- Fractional sizes available
- Factory tolerance +/- 1/16" (2mm)



STANDARD FINISH:

- B12 - Standard White

OPTIONAL FINISHES:

- Optional colors`
 - Custom colors
- See finishes brochure for additional information. Contact your PRICE representative for leadtimes and pricing.

ALL METRIC DIMENSIONS [] ARE SOFT CONVERTED. IMPERIAL DIMENSIONS ARE CONVERTED TO METRIC AND ROUNDED TO THE NEAREST MILLIMETER.

PROJECT:		
ENGINEER:		
CUSTOMER:		APPROVED BY: 
SUBMITTAL DATE:		DRAWING NO: 242253
SPEC. SYMBOL:		DATE DRAWN: SEP. 2023

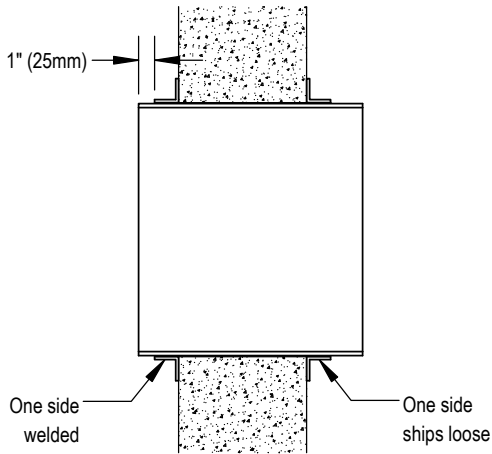
MSTRBG
MAXIMUM SECURITY
TOOL RESISTING
BARRIER GRILLE

MSTRBG - Maximum Security Tool Resisting Barrier Grille

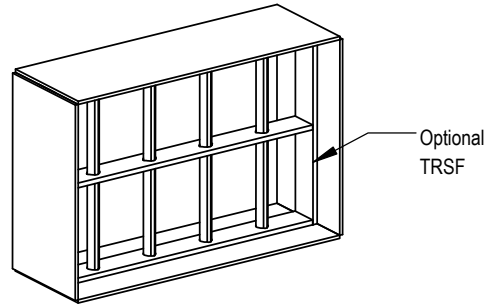
OPTIONS:

Fastening Options:

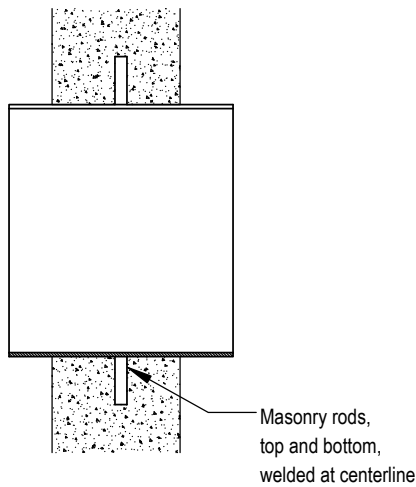
- MF2x2 - 1 1/2" x 1 1/2" x 3/16" (38mm x 38mm x 5mm) angle frames, two sets - one side welded to sleeve, one side loose for field installation



- TRSF - Tool resisting side frame

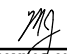


- MR6 - 3/4" x 3" (19mm x 76mm) Masonry rods, welded on top and bottom of sleeve, maximum 12" (305mm) on center spacing



Scan for link to additional product information

ALL METRIC DIMENSIONS [] ARE SOFT CONVERTED. IMPERIAL DIMENSIONS ARE CONVERTED TO METRIC AND ROUNDED TO THE NEAREST MILLIMETER.

PROJECT:		PRICE	
ENGINEER:		APPROVED BY: 	MSTRBG MAXIMUM SECURITY TOOL RESISTING BARRIER GRILLE
CUSTOMER:		DRAWING NO: 242253	
SUBMITTAL DATE:	SPEC. SYMBOL:	DATE DRAWN: SEP. 2023	