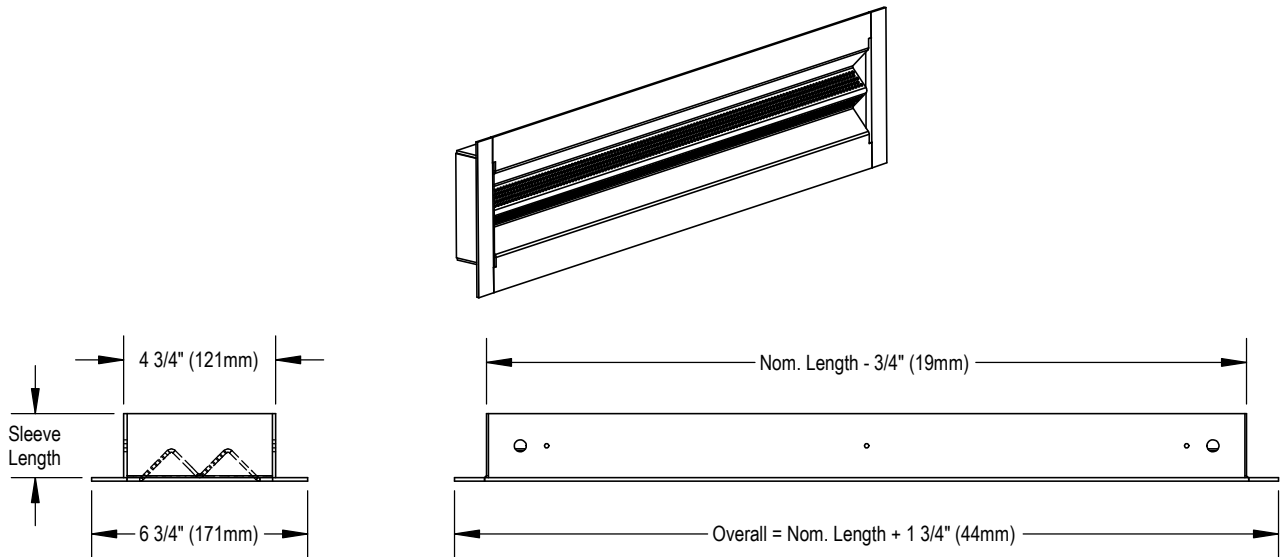


MSPLD - Security Perforated Linear Diffuser



Material:

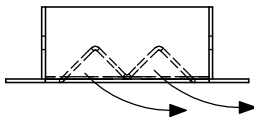
- Perforated face & outer frame: 12ga Steel
- Sleeve: 12ga Steel

Nominal Length:

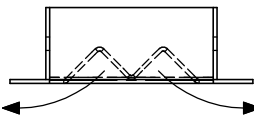
- 24" (610mm)
- 36" (914mm)
- 48" (1219mm)
- 60" (1524mm)

Face Pattern:

- P5 perforation pattern - 1/8" (3mm) holes, 3/16" (5mm) x 60° staggered centers
- 1W - One-way airflow pattern



- 2W - Two-way airflow pattern



Sleeve:

- Minimum length 2" (51mm)
- Minimum length 6" (152mm) with mounting angles
- Maximum length 26" (660mm)
- Available in 2" (51mm) increments
- Stitch welded

Face Finish:

- Standard finish:
- B12 - Standard White

Optional Finishes Available:

- Optional Colors
 - Custom Colors
 - See finishes brochure for additional information.
- Contact your PRICE representative for leadtimes and pricing

Notes:

- Factory tolerance: 1/16" (2mm)
- 1W pattern accepted by New York State Office of Mental Health for use in medium risk areas in new construction, and for high risk areas for retrofit applications only.
- 2W pattern accepted by NYS-OMH for use in medium risk areas.
- See NYS-OMH Patient Safety Standards for Guidelines.

ALL METRIC DIMENSIONS [] ARE SOFT CONVERTED. IMPERIAL DIMENSIONS ARE CONVERTED TO METRIC AND ROUNDED TO THE NEAREST MILLIMETER.

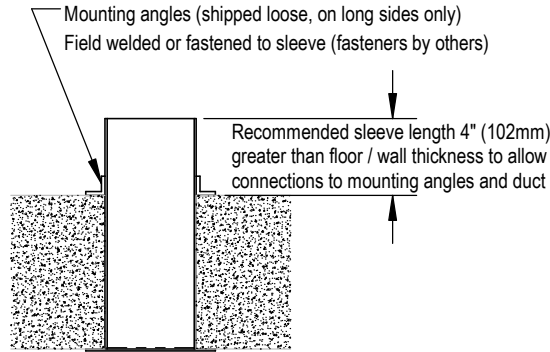
PROJECT:		PRICE	APPROVED BY: 	
ENGINEER:			DRAWING NO: 278161	
CUSTOMER:		DATE DRAWN: FEB. 2024		MSPLD SECURITY PERFORATED LINEAR DIFFUSER
SUBMITTAL DATE:	SPEC. SYMBOL:			

MSPLD - Security Perforated Linear Diffuser

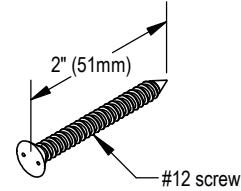
Fastening Options:

- MF1 - 1" x 1" x 3/16" (25mm x 25mm x 5mm) mounting angles
- MF2 - 1 1/2" x 1 1/2" x 3/16" (38mm x 38mm x 5mm) mounting angles
- MF3 - 1" x 1" x 1/8" (25mm x 25mm x 3mm) mounting angles
- MF4 - 1 1/2" x 1 1/2" x 1/8" (38mm x 38mm x 3mm) mounting angles

- Countersunk holes in face with #12 x 2" (51mm) screws
 - CS12-SPNR - plated spanner head tamperproof
 - CS12-TORX - plated tamper resistant Torx
 - CS12-SPNR-SS - stainless spanner head tamperproof
 - CS12-TORX-SS - stainless tamper resistant Torx



- Screwdriver bits, handles and replacement screws for CS fastening options may be ordered under GRD-PARTS model code.



Optional Plenum:

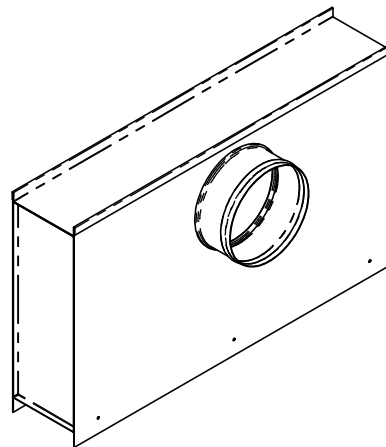
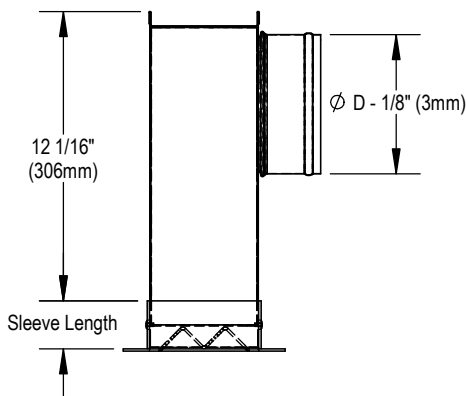
- Plenum ships loose
- Coated steel construction
- Mill finish
- Inlet neck:
 - Standard inlet neck
 - BN - Beaded inlet neck with extended 2 1/2" (64mm) depth
 - FC - Field cut (no inlet neck provided)

Available Inlet Sizes:

Nominal Length	D Round Duct		
	6" (152mm)	8" (203mm)	10" (254mm)
24" (610mm)	•	•	
36" (914mm)	•	•	
48" (1219mm)		•	•
60" (1524mm)		•	•

Insulation (optional):

- CF - Coated Fiberglass Insulation (sides and top)
- FF - Fiber Free Foam Insulation (sides and top)
- CF+E - Coated Fiberglass Insulation with insulated endcaps (sides, top and endcaps)
- FF+E - Fiber Free Foam Insulation with insulated endcaps (sides, top and endcaps)



Scan for link to additional product information

ALL METRIC DIMENSIONS [] ARE SOFT CONVERTED. IMPERIAL DIMENSIONS ARE CONVERTED TO METRIC AND ROUNDED TO THE NEAREST MILLIMETER.

PROJECT:		PRICE
ENGINEER:		
CUSTOMER:		MSPLD SECURITY PERFORATED LINEAR DIFFUSER
SUBMITTAL DATE:	SPEC. SYMBOL:	APPROVED BY:
		DRAWING NO: 278161
		DATE DRAWN: FEB. 2024