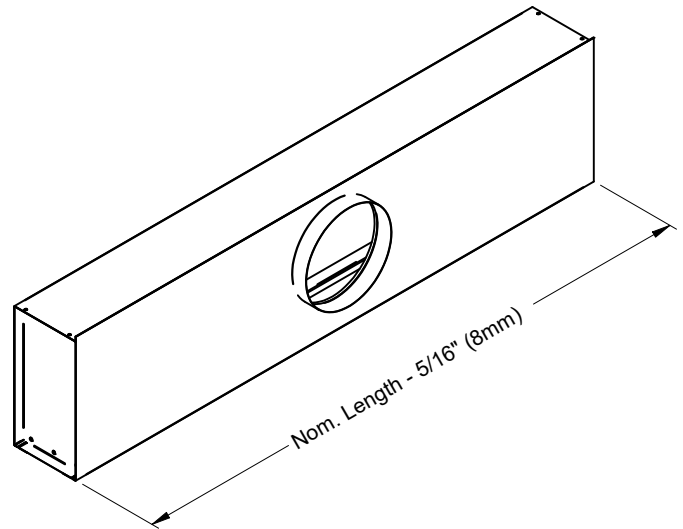
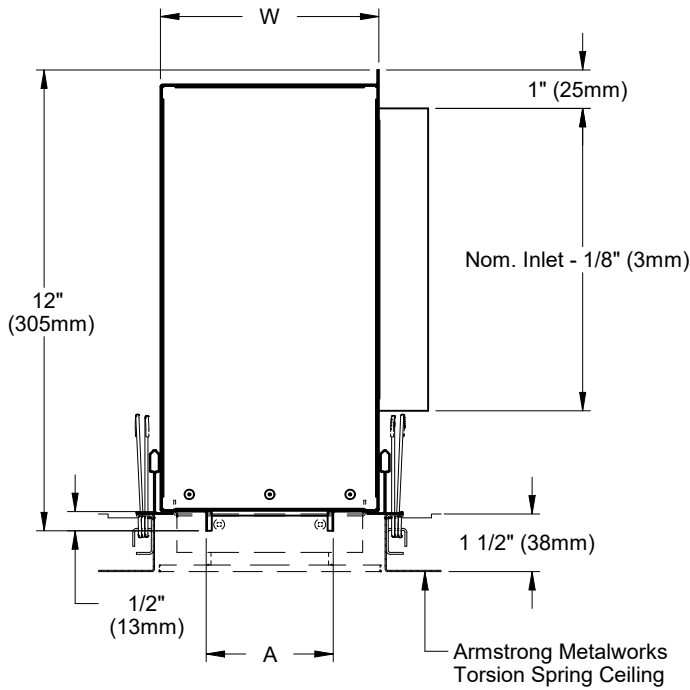


**SDB/SDBI Plenum - Type AMT
ARMSTRONG Metalworks Techzone Torsion Spring Ceiling**



MODULE WIDTH	NO. OF SLOT	A	W
4" (102mm)	1 SLOT	1 13/16"	3 11/16"
6" (152mm)	1 SLOT	1 13/16"	5 11/16"
	2 SLOT	3 5/16"	
	3 SLOT	4 13/16"	

MODEL:

- SDB75 - uninsulated
- SDBI75 - insulated - select insulation:
 - CF - Internal Coated Fiberglass
 - FF - Internal Fiber Free Foam

NOMINAL LENGTH:

- 24" (610mm)
- 36" (914mm)
- 48" (1219mm)
- 60" (1524mm)
- 72" (1829mm)

FINISH:

- MILL FINISH

NOMINAL INLET:

- 4" (102mm) round
- 5" (127mm) round
- 6" (152mm) round
- 7" (178mm) round
- 8" (203mm) round

NOTES:

- Plenum for use with SDS75 & SDR75 type AMT supply and return diffusers (order separately). For installation in Armstrong Metalworks Techzone Torsion Spring Ceiling.
- SDBI plenum endcaps are uninsulated.
- Factory tolerance ± 1/32" (1mm).

ALL METRIC DIMENSIONS () ARE SOFT CONVERTED. IMPERIAL DIMENSIONS ARE CONVERTED TO METRIC AND ROUNDED TO THE NEAREST MILLIMETER.

PROJECT:		 SDB / SDBI TYPE AMT FOR ARMSTRONG METALWORKS TECHZONE CEILING
ENGINEER:		
CUSTOMER:		
SUBMITTAL DATE:	SPEC. SYMBOL:	
		 271261 2022/10/14